

FCF Air Conditioning

Feel Cool Fast with Webasto.



The quietest and most versatile A/C system on the market.

FCF innovation starts with a more balanced system for noise elimination. The compressor has been carefully mounted to greatly reduce unwanted vibration and noises that can transfer into the cabin interrupting your sleep. Unlike competitive systems, FCF stands for quality. Including a long-lasting, baked-on enamel finish, a robust blower that can handle multiple vents and FCF is the only A/C system that comes standard with a digital control panel.

FCF 24,000





FCF 5,000



FCF 9,000



FCF 12,000



FCF 16,000

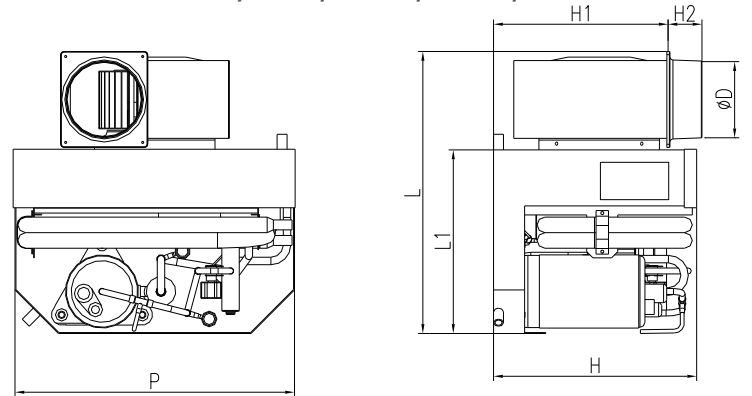
A/C Specifications

| Product | Part Number | Voltage | Frequency | Average Load | Capacity | Suggested Supply Air | Suggested Return Air | Net Weight | Blower Output | Ducting Collar (Diameter) | Condenser Connector (Diameter) |
|------------|-----------------------------|--------------|-------------------|------------------|--------------------------|--|---|----------------------|--|----------------------------|--------------------------------|
| FCF 5,000 | FCF0005000GS FCF0005023G | 115V 230V | 60 Hz 50/60 Hz | 4.4 A 2.2 A | 5,000 Btu / (1.5 kW) | 16 in ² / (103.2 cm ²) | 49 in ² / (316 cm ²) | 50 lbs / (23 kg) | 282 cfm / (479 m ³ /h) | 4 in / (102 mm) | 0.625 in / (16 mm) |
| FCF 9,000 | FCF0009000GS FCF0009023G | 115V 230V | 60 Hz 50/60 Hz | 6.4 A 3.2 A | 9,000 Btu / (2.6 kW) | 16 in ² / (103.2 cm ²) | 64 in ² / (413 cm ²) | 57 lbs / (26 kg) | 344 cfm / (584 m ³ /h) | 4 in / (102 mm) | 0.625 in / (16 mm) |
| FCF 12,000 | FCF0012000GS FCF0012023G | 115V 230V | 60 Hz 50/60 Hz | 8.5 A 4.5 A | 12,000 Btu / (3.5 kW) | 20 in ² / (129 cm ²) | 100 in ² / (645 cm ²) | 68 lbs / (31 kg) | 410 cfm / (696 m ³ /h) | 5 in / (127 mm) | 0.625 in / (16 mm) |
| FCF 16,000 | FCF0016000GS FCF16023G | 115V 230V | 60 Hz 50/60 Hz | 11 A 5.5 A | 16,000 Btu / (4.7 kW) | 24 in ² / (154.8 cm ²) | 121 in ² / (780.6 cm ²) | 76 lbs / (33 kg) | 505 cfm / (858 m ³ /h) | 5 in / (127 mm) | 0.625 in / (16 mm) |
| FCF 24,000 | FCF024000GS FCF002403G | 115V 230V | 60 Hz 50/60 Hz | 20.4 A 12.3 A | 24,000 Btu / (7 kW) | 2 x 50 in ² / (2 x 323 cm ²) | 168 in ² / (1,084 cm ²) | 132 lbs / (60 kg) | 2 x 324 cfm / (2 x 550 m ³ /h) | 2 x 5 in / (2 x 127 mm) | 0.625 in / (16 mm) |

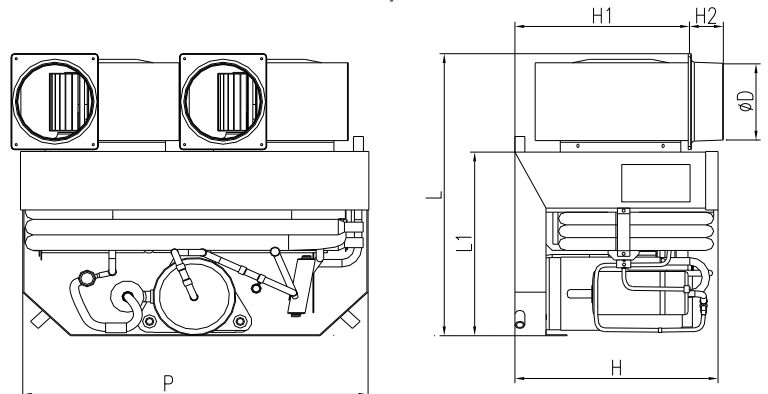
Dimensions

| | FCF 5,000 | FCF 9,000 | FCF 12,000 | FCF 16,000 | FCF 24,000 |
|----|-------------------|-------------------|-------------------|-------------------|-------------------|
| H | 295 mm 11.6 in | 310 mm 12.2 in | 330 mm 13 in | 330 mm 13 in | 386 mm 15.2 in |
| H1 | 260 mm 10.2 in | 260 mm 10.2 in | 290 mm 11.4 in | 290 mm 11.4 in | 326 mm 12.8 in |
| H2 | 54 mm 2.1 in | 54 mm 2.1 in | 54 mm 2.1 in | 54 mm 2.1 in | 56 mm 2.2 in |
| P | 285 mm 11.2 in | 380 mm 15 in | 380 mm 15 in | 450 mm 17.7 in | 595 mm 23.4 in |
| D | 102 mm 4 in | 102 mm 4 in | 127 mm 5 in | 127 mm 5 in | 127 mm 5 in |
| L | 408 mm 16 in | 408 mm 16 in | 438 mm 17.2 in | 454 mm 17.9 in | 529 mm 20.8 in |
| L1 | 280 mm 11 in | 280 mm 11 in | 280 mm 11 in | 295 mm 11.6 in | 387 mm 15.2 in |

FCF 5,000 / 9,000 / 12,000 / 16,000



FCF 24,000



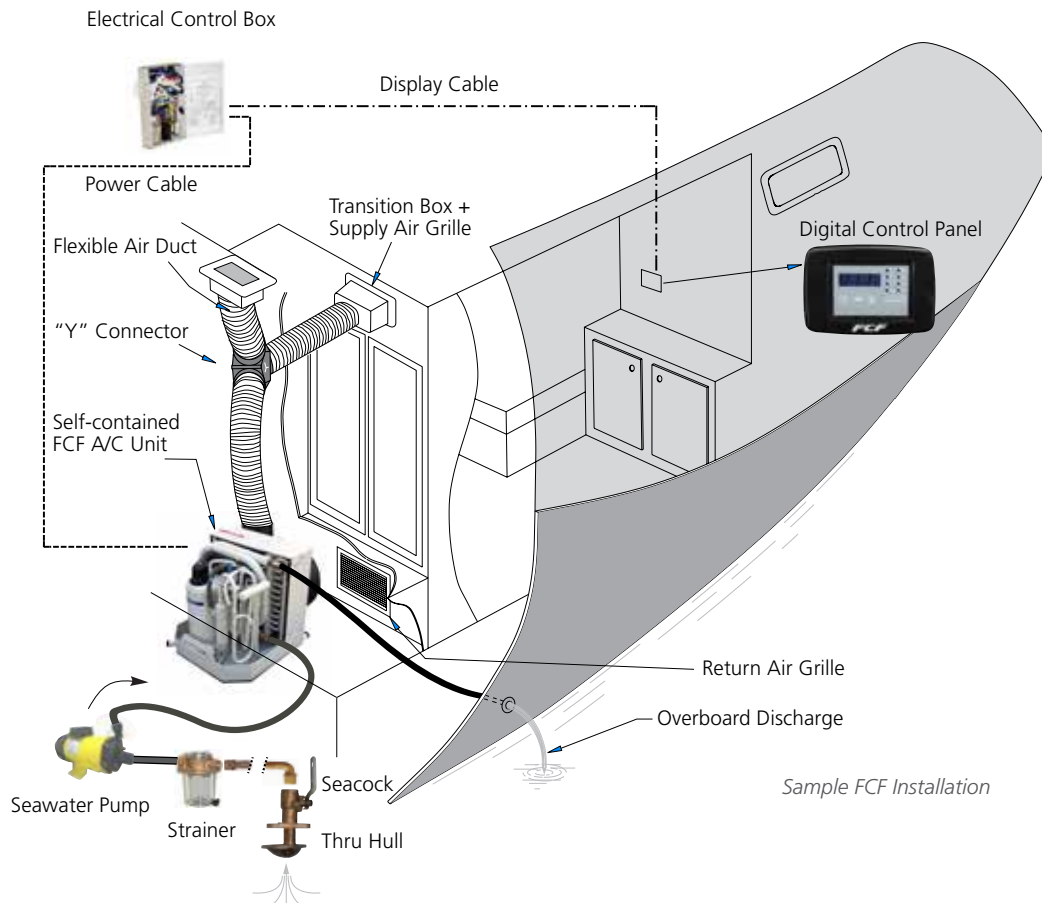
Seawater and Air Distribution Kits

(Kits not available for FCF 24,000)

| | FCF 5,000 | FCF 9,000 | FCF 12,000 - FCF 16,000 |
|------------------------------|------------|------------|-------------------------|
| Seawater Kit (115 V)* | FCF000121A | FCF000123A | FCF000125A |
| Seawater Kit (230 V)* | FCF000122A | FCF000124A | FCF000126A |
| Plastic Air Distribution Kit | | FCF000112A | FCF000115A |
| Teak Air Distribution Kit | | FCF000113A | FCF000114A |
| Plastic Add-a-Vent | | FCF000116 | FCF000118A |
| Teak Add-a-Vent | | FCF000117A | FCF000119A |
| Seawater Hardware Kit** | | | FCF000120A |

*Includes hardware kit and pump.

**Excludes pump.



Sample FCF Installation

Seawater Kit:

- Bronze Seawater Scoop
- Bronze Seacock
- Bronze 90 Elbow
- Bronze Seawater Strainer
- Bronze Fittings
- Seawater Pump
- Plastic Overboard
- Hose and Clamps
- Bronze Thru Hull

Air Distribution Kit:

- Return Air Grille
- Supply Air Grilles
- Transition Box Back Entry
- "Y" Divider
- Flexible Insulated Duct

Webasto Thermo & Comfort
North America, Inc.

15083 North Road
Fenton, Michigan 48430
USA

Toll Free: 800-860-7866
Phone: 810-593-6000



www.webasto-marine.com