

# Thermo Top C

Coolant Heater



### Engine pre-heat, fuel savings and emissions reduction

Compact and reliable, the Thermo Top C utilizes proven technology with millions of units currently in use. Its high output in a small package makes it the perfect solution for engine pre-heating, fuel savings and emission reduction.

#### Coolant Heater Features:

- Provides engine pre-heat without idling
- Uses as little as 1 Gallon of fuel in a 10 hour period
- CARB approved and EPA SmartWay verified
- Fast Return on Investment
- Full diagnostics with PC interface available
- Increases Productivity
- 17,200 Btu/h output



## Technical Specifications

	Thermo Top C
Heating Capacity	8,600 – 17,200 Btu/h (2.5 – 5.0 kW)
Fuel	Diesel #1, Diesel #2 Arctic, Biodiesel B5 & B20
Fuel Consumption	0.08 – 0.16 gal/h (0.30 – 0.61 l/h)
Rated Voltage	12 V
Operating Voltage Range	10.5 – 15 V
Rated Input	3.8 Amps (46 W)
Water Flow	2 gal/min at 1.9 PSI (450 l/h at 0.13 bar)
Dimensions (L x W x H)	9.125 x 4.125 x 6.4 in (232 x 105 x 193 mm)
Weight	7 lbs (3.2 kg)

### Available Thermo Top C Heater Kits:

Thermo Top C Diesel Kit (12 V) - Part No: 923369

Thermo Top C Diesel Kit w/enclosure (12 V) - Part No: 5010087A

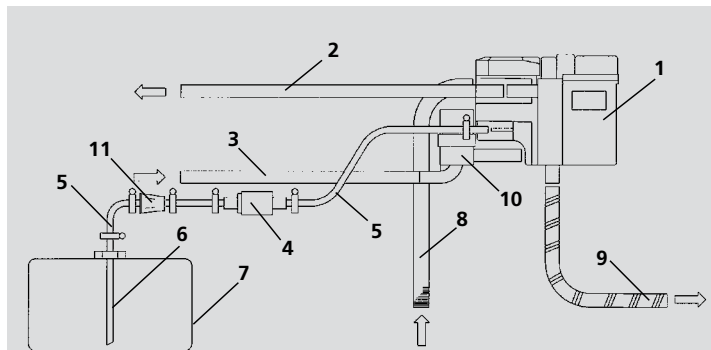
#### Standard Kit Components:

- Integrated Control Unit
- On/Off Switch
- Fuel Metering Pump w/Mounting Bracket
- Fuel Line
- Fuel Filter
- Universal Fuel Standpipe
- Exhaust Tubing
- Combustion Air Tubing
- Wiring Harness w/ Fuse Holder
- PC Interface Diagnostics
- Operation/Installation Manual
- 2 Year/2000 Hour Limited Warranty

#### Optional Accessories:

- 7-Day Digital Timer (Engine Preheat) - Part No: 906108A
- Timer Mounting Frame (In Dash) - Part No: 474630
- Timer Mounting Bracket (Under Dash) - Part No: 906218
- Heater Mounting Bracket - Part No: 901088

## System Schematic



- |                          |                          |
|--------------------------|--------------------------|
| 1. Thermo Top C Heater   | 6. Fuel Pickup           |
| 2. Heated Coolant Outlet | 7. Fuel Tank             |
| 3. Cold Coolant Inlet    | 8. Combustion Air Intake |
| 4. Fuel Pump             | 9. Exhaust Tube          |
| 5. Fuel Line             | 10. Circulation Pump     |
|                          | 11. Fuel Filter          |

Webasto Thermo & Comfort  
North America, Inc.

15083 North Road  
Fenton, Michigan 48430  
USA

Toll Free: 800-860-7866  
Phone: 810-593-6000

[www.webasto.us](http://www.webasto.us)