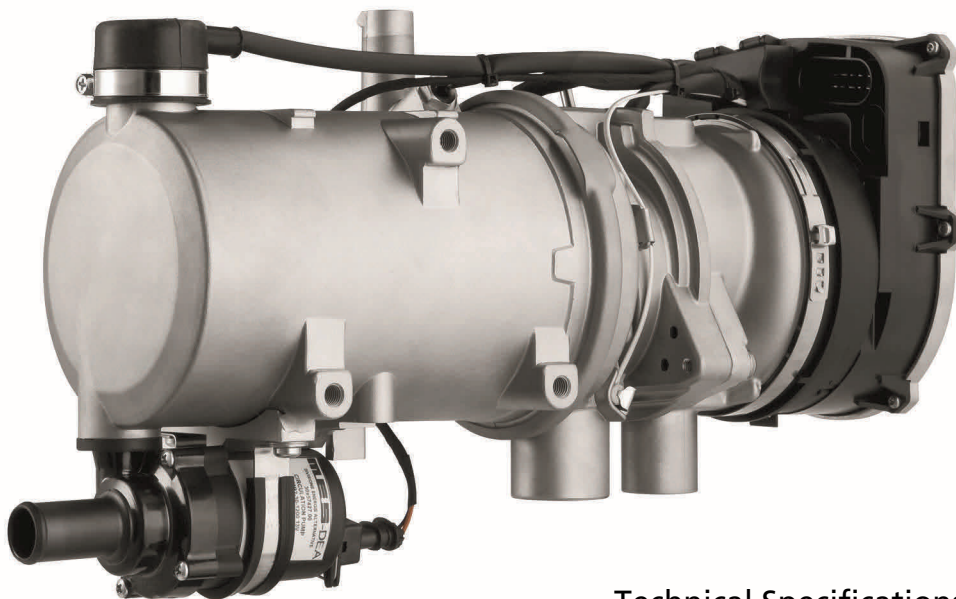


Thermo Pro 90 water heater

On demand hot water



The Webasto Thermo Pro 90 water heater is the ideal solution for both your domestic hot water and space heating needs.

These heaters can be installed in the engine room with minimal space requirements, and when combined with our plate heat exchanger will provide infinite hot water at a flick of a switch. Add fan heaters to the system to easily warm the vessel's cabins.

Boasting a compact design, high heat output, reliable proven technology, low noise and extremely low emissions, the Webasto Thermo Pro 90 is everything you need to keep you comfortable on the water.

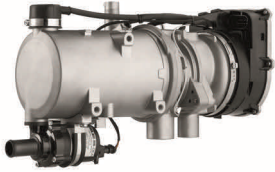
Technical Specifications

	Thermo Pro 90
Voltage (V)	12/24
Heat Output (kW) Partial Load - Full Load	1.8 - 7.6 (boost mode 9.1)
Fuel; Fuel Consumption (L/Hr) Partial Load - Full Load	Diesel; 0.18 -1.08 (boost mode 1.33)
Power Consumption (W) Partial Load - Full Load	20 - 83 (boost mode 90)
Dimensions (LxWxH mm) Weight (kg)	352 x 131 x 232 4.8
Buffer Tank (capacity L)	5.3
Plate Heat Exchanger (LxWxH* mm) * including fittings	209 x 78 x 47
Fan Heater (kW) - size range	1.5 - 8.8

Buffer Tank



Fan Heater



Thermo Pro 90 Heater

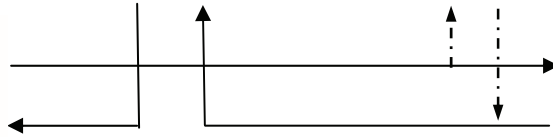
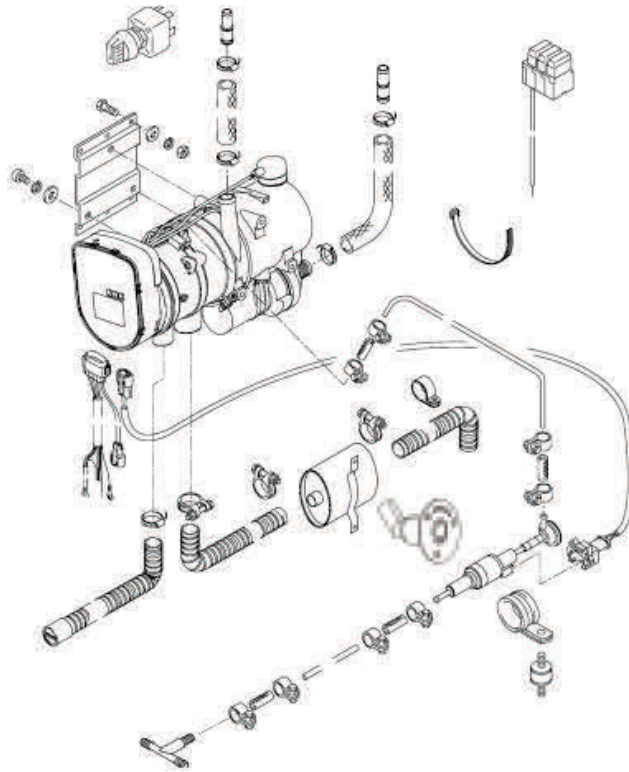


Plate Heat Exchanger

Scope of Delivery



Webasto Thermo & Comfort Australia Pty Ltd
423-427 The Boulevard
Kirrawee NSW 2232
Australia
Phone: +61 (0)2 8536 4800
Fax: +61 (0)2 8536 4899
info@webasto.com.au