

## Truck

Air conditioning

### Compact Cooler 4 E Roof-mounted air-conditioning system The intelligent and practical solution

The CC4E roof-mounted air-conditioning system is particularly suitable for vehicles and machinery where refrigerant lines may interfere with operations, such as cranes, agricultural machinery, earth-moving equipment and service vehicles.

All major components are contained in the externally mounted unit, with air distribution being controlled via an air-distribution panel, mounted on the underside of the roof mount inside the cabin.

The system is pre-filled with Refrigerant (R134a). Once the unit has been roof-mounted and the internal air-distribution panel has been affixed, a simple connection to the on-board 24V power supply via cable harness completes the installation.

The CC4E is equipped with a protective circuit to prevent total battery exhaustion. The system disables itself automatically if the power supply drops below 20V for more than 10 seconds.

A 'soft-start' function prevents current peaks affecting the on-board power supply during start up of the system. An additional current overload protector triggers automatic shut-down of the system should current peaks in excess of 80A occur.

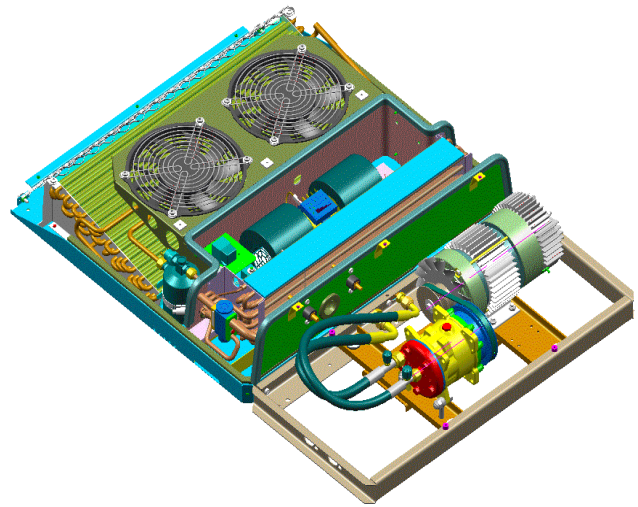
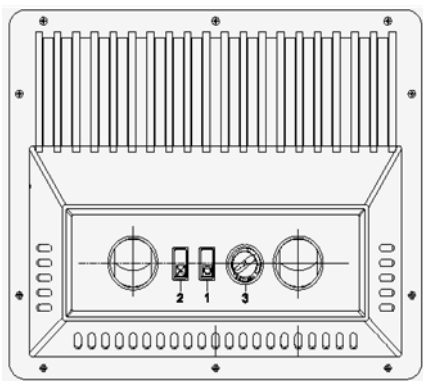
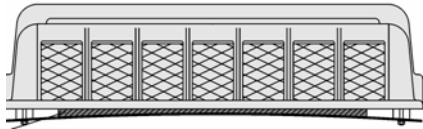
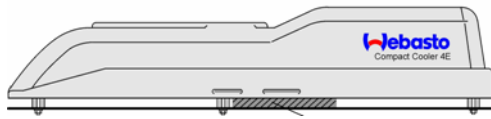


**approx. 12,000 BTU Cooling Capacity**

#### Optional:

- Set-point potentiometer with knob  
Electric motor automatically shuts down when set temperature is reached and restarts when a subsequent temperature increase exceeds 2° C

## CC4E Components:



### CC4E Roof Mount Components:

- Baseplate – load bearing structural element
- Radial Fan
- Receiver-drier with view glass and pressure switch
- Condenser
- Evaporator with mist separator
- Expansion valve
- Anti-icing switch
- Screw connections
- Relay and holder for blade-type fuses
- Cable harness with grommet
- Axial fan
- Electric motor
- Compressor
- Refrigerant hoses

## Technical specifications:

Unit	Cooling power (kW/ BTU)	Max. total power consumption (A)	Dimensions L x W x H (mm)	Weight (kg)	Nominal voltage (V)	Refrigerant (CFC-free)
CC4E/ES	3.5/12,000	68	1100 x 774 x 215	55	24	R134a

Webasto Thermo & Comfort Australia Pty Ltd  
 423 – 427 The Boulevard  
 Kirrawee NSW 2232  
 Australia

Phone: + 61 (0) 2 8536 4800  
 Fax: + 61 (0) 2 8536 4899

info@webasto.com.au

www.webasto.com.au