

Marine Coolant Heaters

Thermo Pro 50 Eco ▪ Thermo Pro 90

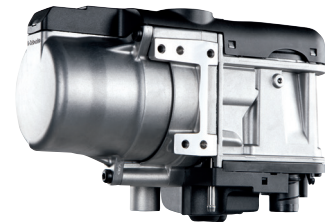
Delivering the ultimate on-board heating solutions.

Webasto Marine Coolant Heaters are an excellent addition to any vessel. They provide on-board hot water for the galley and head, and can also deliver warm air to the cabins and compartments to keep the crew comfortable.

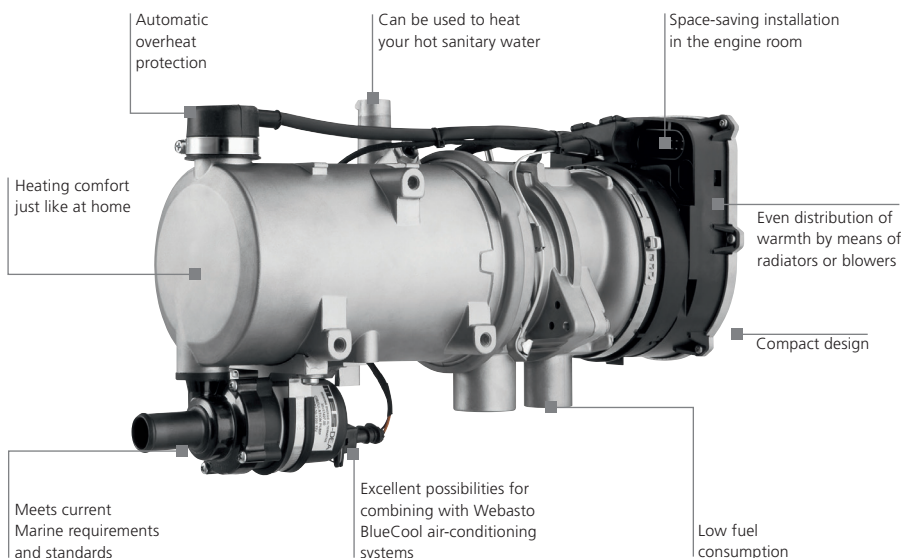
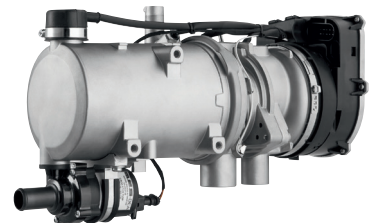
Key Features

- Heats cabin interiors and provides heat to potable water for shower and galley
- High heat output in a compact design
- Low fuel and electrical power consumption
- Even distribution of warm air
- Quiet operation
- Space-saving installation
- Excellent opportunity to combine with the Webasto BlueCool and FCF air conditioning systems
- Separate temperature control in every cabin
- Compact design
- Robust aluminum casing, resistant to high temperatures or salt
- Meets current boating requirements and standards

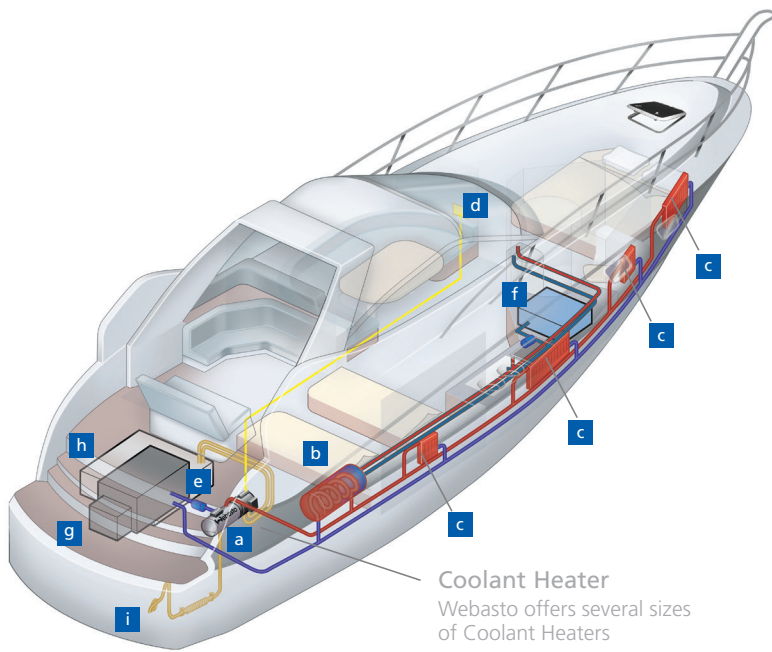
Thermo Pro 50 Eco 8,500 – 17,100 BTU/h



Thermo Pro 90 6,100 – 26,000 BTU/h



Installation example for Coolant Heater:



- a** Space-saving and inconspicuous installation in the engine room
- b** Boiler for heating hot water – for extra comfort
- c** One air handler for Each cabin allows an individual temperature control
- d** Controls – simple and logical to use
- e** Circulating pump
- f** Fresh water tank
- g** Engine
- h** Fuel tank
- i** Stainless steel exhaust

Technical Specifications:

Model	Thermo Pro 50 Eco	Thermo Pro 90
Part Number & Description	5011447 (24 V)	5011094 (12 V) Standard Kit 5011095 (24 V) Standard Kit 9041365 (12 V) Base Heater 9041366 (24 V) Base Heater
Heat Output	17,100 BTU/h (5.0 kW)	Boost: 31,000 BTU/h (9.1 kW) Operating Range: 6,100–26,000 BTU/h (1.8–7.6 kW)
Fuel	Diesel	Diesel
Fuel Consumption	0.08 – 0.16 gal/h (0.3 – 0.6 l/h)	Boost: 0.29 gal/h (1.1 l/h) Operating Range: 0.05–0.23 gal/h (0.2–0.9 l/h)
Rated Power Consumption	28 – 46 W	Boost: 90 W Operating Range: 37–83 W
Flow Rate of Circulating Pump	2.2 gal/min (500 l/h) (against 0.14 bar)	7.3 gal/min (1650 l/h)(U4846 against 0.3 psi)
Heater Dimensions (LxWxH)	8.6 x 3.6 x 5.7 in (218 x 91 x 144 mm)	15 x 5.5 x 9.1 in (381 x 140 x 231 mm)
Weight	5.3 lbs (2.4 kg)	10.8 lbs (4.9 kg)

Part Number 909439 • 12/23 • Errors and omissions excepted • Printed in USA • © Webasto Thermo & Comfort North America, Inc. 2023

**Webasto Thermo & Comfort
North America, Inc.**

15083 North Road
Fenton, Michigan 48430
USA
Toll Free: 800-860-7866
Phone: 810-593-6000

webasto-comfort.com

